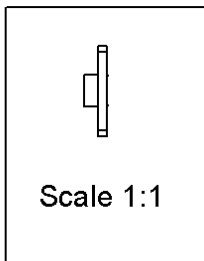
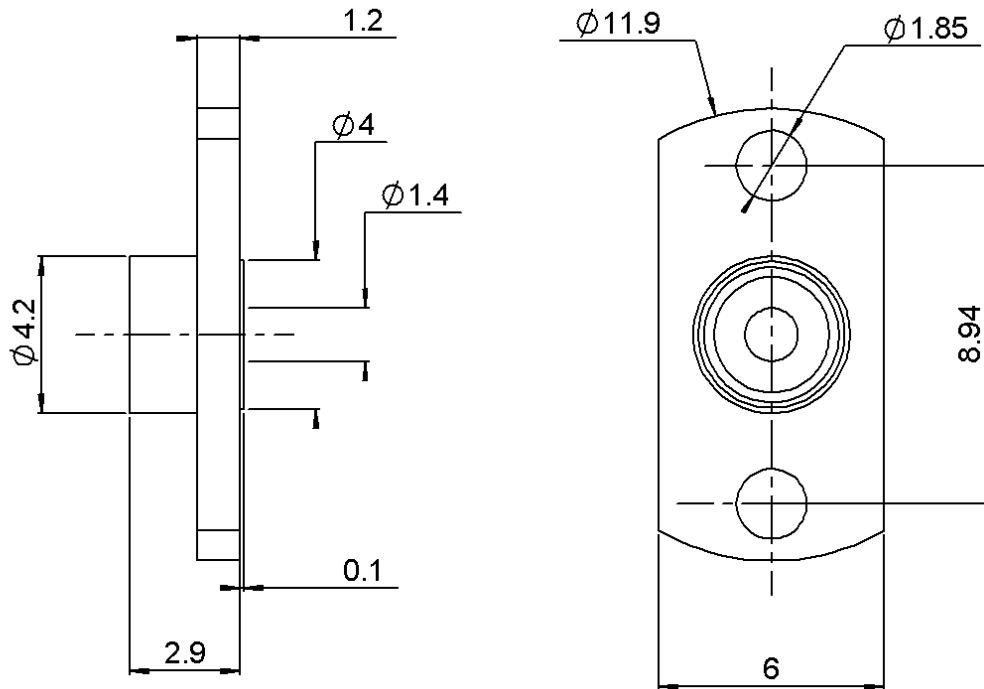


TWO HOLE FLANGE SCHROUD 0.4MM

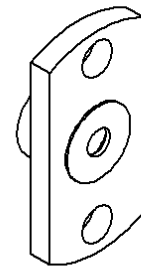
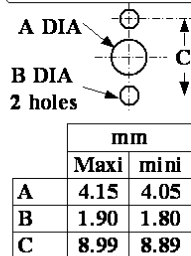
R222.450.331

LIMITED DETENT

Series : SMP



PANEL CUT OUT



All dimensions are in mm.

| COMPONENTS | MATERIALS | PLATINGS (µm) |
|----------------|-----------------|---------------|
| BODY | STAINLESS STEEL | PASSIVATED . |
| CENTER CONTACT | | |
| OUTER CONTACT | | |
| INSULATOR | | |
| GASKET | | |
| OTHERS PARTS | | |
| - | - | - |
| - | - | - |

Issue : 0529 B

In the effort to improve our products, we reserve the right to make changes judged to be necessary.



TWO HOLE FLANGE SCHROUD 0.4MM

R222.450.331

LIMITED DETENT

Series : SMP

PACKAGING

SPECIFICATION

| Standard | Unit | Other |
|------------|-------------------|-------------------|
| 100 | 'W' option | Contact us |

ELECTRICAL CHARACTERISTICS

ENVIRONMENTAL

| | | | |
|---------------------------------|------|--------------|--------------------------|
| Impedance | | NA | Ω |
| Frequency | | NA | GHz |
| VSWR | NA + | 0.000 | x F(GHz) Maxi |
| Insertion loss | | NA | \sqrt{F} (GHz) dB Maxi |
| RF leakage | - (| NA | - F(GHz)) dB Maxi |
| Voltage rating | | NA | Veff Maxi |
| Dielectric withstanding voltage | | NA | Veff mini |
| Insulation resistance | | NA | M Ω mini |

| | | |
|-----------------------|----------------|--------------|
| Operating temperature | -65/165 | $^{\circ}$ C |
| Hermetic seal | NA | Atm.cm3/s |
| Panel leakage | NA | |

OTHERS CHARACTERISTICS

Assembly instruction

Others :

MECHANICAL CHARACTERISTICS

| | | | |
|----------------------------|--------------|--------|------|
| Center contact retention | | | |
| Axial force – Mating end | NA | N | mini |
| Axial force – Opposite end | NA | N | mini |
| Torque | NA | N.cm | mini |
| Recommended torque | | | |
| Mating | NA | N.cm | |
| Panel nut | NA | N.cm | |
| Mating life | 500 | Cycles | mini |
| Weight | 0.578 | g | |

Issue : 0529 B

In the effort to improve our products, we reserve the right to make changes judged to be necessary.

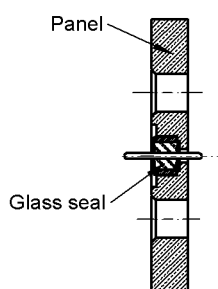


TWO HOLE FLANGE SCHROUD 0.4MM**LIMITED DETENT****R222.450.331**

Series : SMP

**ADDITIONAL INFORMATIONS
MOUNTING INSTRUCTIONS**

1. Check the quality of the soldering, as well as the position of the glass seal in the package.



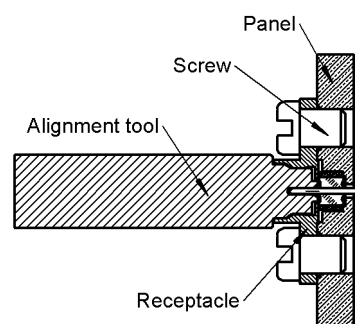
2.

Place the receptacle and pre-assemble screw on the package.

Mount the aligning positioner R2821.860.022 into the flange to ensure a good concentricity.

Screw the receptacle on the package.

Remove the aligning positioner.

**Issue : 0529 B**

In the effort to improve our products, we reserve the right to make changes judged to be necessary.

